



# H6 MINI DOME CAMERA

2 MP

3 MP

5 MP

## SMALL YET MIGHTY, UP TO 5 MP

The Avigilon H6 Mini Dome brings an exceptional level of protection to indoor spaces with high-resolution images of up to 5 MP, a wide field of view and efficient bandwidth management in a compact design. This makes it an ideal solution for retail, commercial, hospitality and general indoor applications that require a small footprint, fixed lens camera without compromising on interior aesthetics.



### INTELLIGENT MOTION, POWERED BY NEXT-GENERATION VIDEO ANALYTICS

Empowers operators to respond faster to potentially critical events with Unusual Activity Detection and classified object motion detection built into the camera.<sup>1</sup>



### ONVIF® COMPLIANT

ONVIF Profile S and T compliance enables easy integration with existing ONVIF infrastructures. Profile G compliance supports search, playback and retrieval of recordings on the edge.



### H.264 & H.265 HDSM SMARTCODEC™ TECHNOLOGY

Optimizes compression levels for regions in a scene to help maximize bandwidth savings and keep internet connectivity costs down.



### QUICK & EASY INSTALLATION

The camera's modular design allows it to snap into various indoor mounting options for fast and simple installations.



### WIDE FIELD OF VIEW

Provides superior situational awareness of a facility with two fixed lens options available: 2.9mm and 2.4mm.



### WIDE DYNAMIC RANGE

Captures high-quality image details in scenes with both very bright and very dark areas.



### FIPS 140-2 COMPLIANT

Brings increased data security with FIPS-compliant cryptography enabled on the cameras.<sup>2</sup>



### OPTIONAL IR ILLUMINATORS

Sees clearly in low-light areas with optional IR illumination.

For more information visit [avigilon.com/h6m](https://avigilon.com/h6m)



<sup>1</sup> Analytic capabilities on the H6 Mini Dome include Unusual Activity Detection and classified object motion detection to generate motion-based recordings from the presence of classified objects only.

<sup>2</sup> Optional purchase of FIPS Level 1 camera license or CRYPTR microSD hardware-based encryption and key management for FIPS Level 3 support and certification.

# H5A MODULAR CAMERA

3 MP

5 MP

The Avigilon H5A Modular Camera is designed for areas with limited space or require a discreet and unobtrusive monitoring solution, such as ATMs, police interview rooms, retail checkout counters, building entrances or casino gaming tables. The camera's adjustable imager modules can easily be positioned in different orientations to help capture the most optimal view of people or scenes of interest for investigations. It comes equipped with Next-Generation Video Analytics for enhanced object detection and classification, Unusual Activity Detection, and supports Facial Recognition and Avigilon Appearance Search technologies to expedite response times for critical events.



## FEATURES



### NEXT-GENERATION VIDEO ANALYTICS

Detects more objects with expanded object classifications and greater accuracy for faster responses, even in crowded scenes.



### FLEXIBLE INSTALLATION

Detachable cables with multiple length options are available to help reduce installation times and enable flexible positioning of the imager modules for ideal scene coverage.



### H.264 AND H.265 WITH HDSM SMARTCODEC™ TECHNOLOGY

Optimizes compression levels for regions in a scene to help maximize bandwidth savings and keep internet connectivity costs down.



### DUST & WATER RESISTANCE<sup>1</sup>

IP66 rating for resistance from dust and water.



### FIPS 140-2 COMPLIANT<sup>2</sup>

Brings increased data security with FIPS-compliant cryptography enabled on cameras.



### SMALL & DISCREET FORM FACTORS

Lightweight form factors allow for easy installation in practically any environment, including tight spaces and discreet applications, such as behind false walls or ceilings.



### ONVIF® COMPLIANT

ONVIF Profile S, T and G compliance allows easy integration with existing ONVIF infrastructures.



### CUSTOMIZABLE DESIGN

Modular design offers the ability to mix and match different resolutions and/or form factors to suit site coverage needs.



### WIDE DYNAMIC RANGE

Captures high-quality image details in scenes with strong backlight.

ONVIF is a trademark of Onvif, Inc.

<sup>1</sup>Available on Micro Bullet Imager Module only.

<sup>2</sup> Optional purchase of FIPS Level 1 camera license or CRYPTR microSD hardware-based encryption and key management for FIPS Level 3 support and certification.

# SPECIFICATIONS - MAIN UNIT

IMAGE CONTROL AND PERFORMANCE		
Image Compression Method		H.264 HDSM SmartCodec, H.265 HDSM SmartCodec, Motion JPEG
Bandwidth Management		HDSM SmartCodec technology; Idle scene mode
Streaming		Multi-stream H.264, Multi-stream H.265, Motion JPEG
Max Image Rate (Based on combined resolution of one or two imagers)	High Frame Rate: (50 Hz/60 Hz)	(≤ 6 MP) 25 fps/30fps (8 MP) 25 fps/24 fps (10 MP) 20 fps/24 fps
	Full Feature Mode: (50 Hz/60 Hz)	(≤ 5 MP) 25 fps/30 fps (6 MP) 25 fps/24 fps (8 MP) 20 fps/20 fps (10 MP) 12.5 fps/15 fps
Dynamic Range		Up to 120 dB
Motion Detection		Pixel motion; Selectable sensitivity and threshold. Classified object detection
Tamper Detection		TBD
Electronic Shutter Control		Automatic, Manual (1/7.5 to 1/8000 sec)
Flicker Control		60 Hz, 50 Hz
White Balance		Automatic, Manual
Backlight Compensation		Adjustable
Privacy Zones		Up to 64 zones

NETWORK	
Network	100BASE-TX
Cabling Type	CAT5E cabling
Connector	RJ-45
Security	Password protection, HTTPS encryption, digest authentication, WS authentication, user access log, 802.1x port based authentication, FIPS 140-2 L1 (with optional camera license), FIPS 140-2 L3 (with optional accessory)
Protocols	IPv4, HTTP, HTTPS, SOAP, DNS, NTP, RTSP, RTCP, RTP, TCP, UDP, IGMP, ICMP, DHCP, Zeroconf, ARP
Streaming Protocols	RTP/UDP, RTP/UDP multicast, RTP/RTSP/TCP, RTP/RTSP/HTTP/TCP, RTP/RTSP/HTTPS/TCP, HTTP
Device Management Protocols	SNMP v2c, SNMP v3

MECHANICAL		
Dimensions (LxWxH)	Body Only	105 mm x 123 mm x 34 mm; 4.13" x 4.84" x 1.34"
	Including HD BNC Connector	114 mm x 123 mm x 34 mm; 4.50" x 4.84" x 1.34"
Weight	0.517 kg (1.14 lbs)	
Body	Aluminum	
Housing	Stainless steel (bracket)	
Finish	Black	

ELECTRICAL	
Power Consumption	13 W Max
Power Source	VDC: 12 V +/-10%, 11.5 W min PoE: IEEE 802.3af Class 3 compliant
Power Connector	2-pin terminal block
RTC Battery Backup	3V manganese lithium

**ENVIRONMENTAL**

Operating Temperature	-10 °C to +60 °C (14 °F to 140 °F)
Storage Temperature	-10 °C to +70 °C (14 °F to 158 °F)
Humidity	0 - 100% RH

**CERTIFICATIONS**

Certifications/Directives	UL, cUL, CE, UKCA, ROHS, RCM
Safety	UL 62368-1, CSA 62368-1, IEC/EN 62368-1
Electromagnetic Emissions	FCC Part 15 Subpart B Class A, ICES-003 Class A, EN 55032 Class A, EN 61000-3-2, EN 61000-3-3
Electromagnetic Immunity	EN 55035, EN 61000-6-1

**SPECIFICATIONS - IMAGER**

IMAGE PERFORMANCE		3.0 MP	5.0 MP
Image Sensor		1/2.7" Progressive Scan	1/2.7" Progressive Scan
Active Pixels (H x V)		Right Angle: 2128 x 1368 Micro Bullet: 2128 x 1536	2688 x 1944
Imaging Area (H x V)		5.4 mm x 3.9 mm; 0.213 " x 0.154 "	
Max Image Rate		(50 Hz/60 Hz): 25 fps/30 fps	
Streaming Resolutions	Primary Stream:	Right Angle: 2128 x 1368; 1920 x 1080 Micro Bullet: 2128 x 1536; 1920 x 1080	2688 x 1944; 2128 x 1536; 2560 x 1440; 1920 x 1080
	Secondary Stream:	Right Angle: 1248 x 800; 832 x 536; 672 x 432; 528 x 336; 400 x 256; 1280 x 720; 720 x 480; 640 x 360; 512 x 288; 384 x 216 Micro Bullet: 1248 x 904; 832 x 600; 672 x 480; 528 x 384; 400 x 288; 1280 x 720; 720 x 480; 640 x 360; 512 x 288; 384 x 216	1248 x 904; 832 x 600; 672 x 480; 528 x 384; 400 x 288; 1280 x 720; 720 x 480; 640 x 360; 512 x 288; 384 x 216
Dynamic Range	WDR Off:	Up to 82 dB	
	WDR On:	Up to 120 dB	
Bandwidth Management		HDSM SmartCodec technology; Idle scene mode	
3D Noise Reduction Filter		Yes	

LENS AND IR ILLUMINATION	RIGHT ANGLE	MICRO BULLET
Lens	3.7 mm fixed pinhole aperture	2.8 mm fixed
Horizontal Angle of View (HFOV)	91 °	110 °
Vertical Angle of View (VFOV)	53 °	80 °
Max Aperture	F2.5	F2.0
Control	Fixed	

**IMAGE CONTROL**

Image Compression Method	H.264 HDSM SmartCodec, H.265 HDSM SmartCodec, Motion JPEG
Streaming	Multi-stream H.264, Multi-stream H.265, Motion JPEG
Motion Detection	Pixel motion; Selectable sensitivity and threshold. Classified object detection
Tamper Detection	TBD
Electronic Shutter Control	Automatic, Manual (1/7.5 to 1/8000 sec)
Day/Night Control	Automatic, Manual
Flicker Control	60 Hz, 50 Hz
White Balance	Automatic, Manual
Backlight Compensation	Adjustable
Privacy Zones	Up to 64 zones

**NETWORK**

Cabling Type	Coaxial cable
Connector	HD BNC

**MECHANICAL**

<b>MECHANICAL</b>		<b>RIGHT ANGLE</b>	<b>MICRO BULLET</b>
Dimensions (LxWxH)	Imager Module Body Only	45 mm x 25 mm x 20 mm; 1.77" x 0.98" x 0.79"	42 mm x 30 mm diameter; 1.65" x 1.18" diameter
	Including HD BNC Connector	54 mm x 25 mm x 20 mm; 2.13" x 0.98" x 0.79"	50 mm x 30 mm diameter; 1.97" x 1.18" diameter
Weight		0.028 kg (0.06 lbs)	0.043 kg (0.09 lbs)
Body		Aluminum	
Housing		Plastic	
Finish		Black	

**ENVIRONMENTAL**

<b>ENVIRONMENTAL</b>		<b>RIGHT ANGLE</b>	<b>MICRO BULLET</b>
Operating Temperature		-30 °C to +60 °C (-22 °F to 140 °F)	
Storage Temperature		-10 °C to +70 °C (14 °F to 158 °F)	
Humidity		0 - 100% RH	
Environmental		N/A	IP66 Rating

# ANALYTICS SPECIFICATIONS

## SUPPORTED RULE BASED VIDEO ANALYTIC EVENTS (PER IMAGER)

Objects in Area	The event is triggered when the selected object type moves into the region of interest.
Object Loitering	The event is triggered when the selected object type stays within the region of interest for an extended amount of time.
Object Crossing Beam	The event is triggered when the specified number of objects have crossed the directional beam that is configured over the camera's field of view. The beam can be unidirectional or bidirectional.
Object Appears or Enters Area	The event is triggered by each object that enters the region of interest. This event can be used to count objects.
Object Not Present in Area	This event is triggered when no objects are present in the region of interest.
Objects Enter Area	The event is triggered when the specified number of objects have left the region of interest.
Objects Leave Area	The event is triggered when the specified number of objects have left the region of interest.
Object Stops in Area	The event is triggered when an object in a region of interest stops moving for the specified threshold time.
Direction Violated	The event is triggered when an object moves in the prohibited direction of travel.
Tamper Detection	The event is triggered when the scene unexpectedly changes.

## SUPPORTED CLASSIFIED OBJECT TYPES

Object Types in Outdoor Mode	Vehicle, sub-types: Car, Truck, Bicycle, Motorcycle, Bus Person
Object Types in Indoor Mode	Person

## TEACH BY EXAMPLE

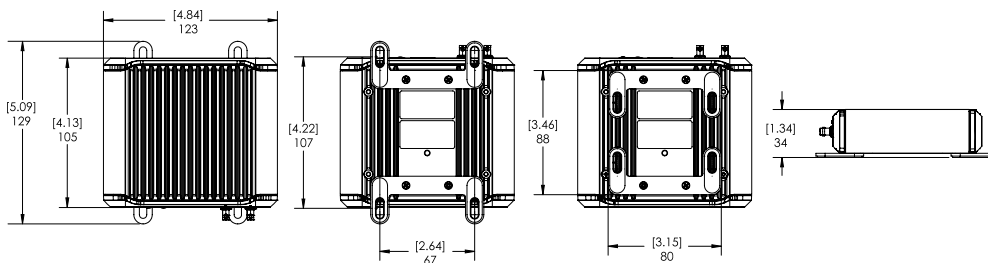
Teach By Example	Yes, when used with Avigilon Control Center™
------------------	--

## AVIGILON CONTROL CENTER (ACC) VERSIONS SUPPORTED FEATURES

ACC Version 6.14.12 or higher	All supported analytic events with two types of classified objects: person or vehicle. Appearance search when paired with appropriate server hardware. H.265 supported.
ACC Version 7.2 or higher	All supported analytic events with people and vehicles and all vehicle sub-types as classified objects. Appearance search when paired with appropriate server hardware. H.265 supported.

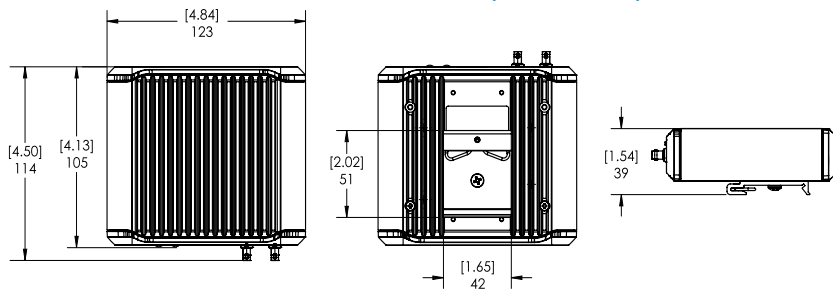
# OUTLINE DIMENSIONS

## MAIN UNIT WITH BRACKET

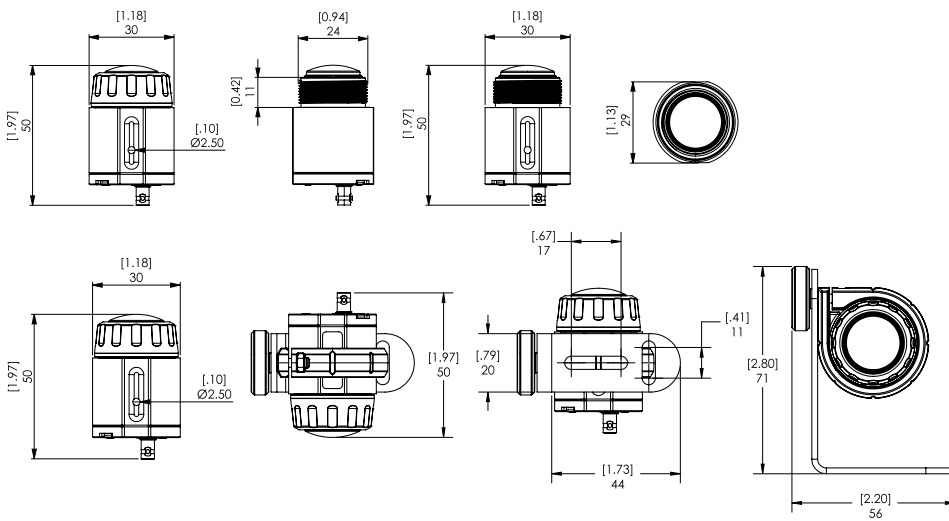


[X.X]	INCHES
X	MM

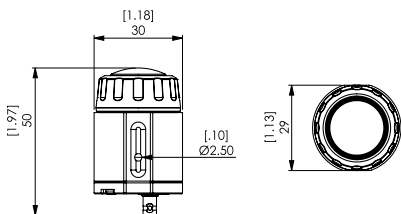
## MAIN UNIT WITH DIN RAIL MOUNT (OPTIONAL)



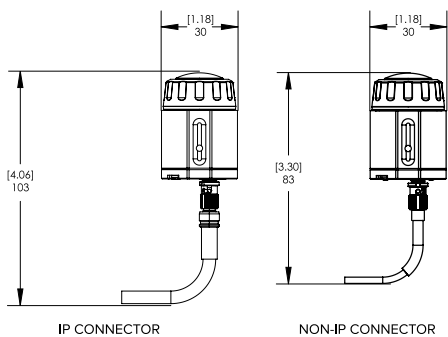
## MICRO BULLET IMAGER WITH BRACKET



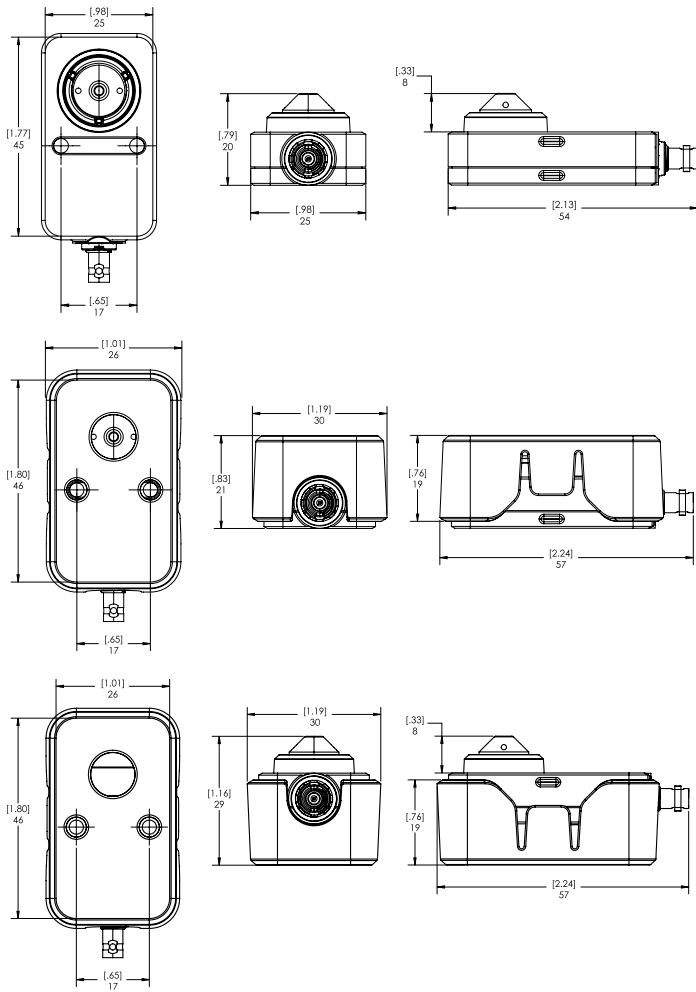
## MICRO BULLET IMAGER WITH SIDE RAIL MOUNT



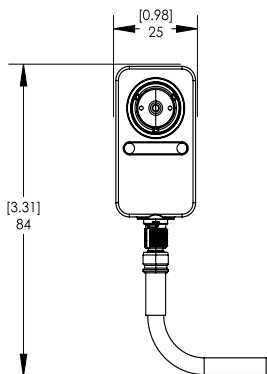
## MICRO BULLET IMAGER WITH MIN. CABLE LENGTH



## RIGHT ANGLE IMAGER WITH BRACKET






## RIGHT ANGLE IMAGER WITH MIN. CABLE LENGTH





# ORDERING INFORMATION

The variety of mounting options for the H5A Modular provides maximum flexibility to combine different imager modules and cable configurations.

MAIN UNIT	IMAGER MODULES	REQUIRED ACCESSORIES
 <p>H5A Modular Camera Main Unit (H5A-MOD-2P)</p>	<p>Order up to two imager modules per Main Unit, any combination of the following:</p> <div style="display: flex; justify-content: space-around; align-items: center;"> <div style="text-align: center;">  <p>H5A Right Angle Imager (3C-H5MOD-RP4)</p> </div> <div style="text-align: center;">  <p>H5A Micro Bullet Imager (xC-H5MOD-MB2)</p> </div> </div>	<p>Order one cable for each imager module:</p> <ul style="list-style-type: none"> <li>CBL2M-1001 (2 m)</li> </ul>

## IMAGER MODULES

With the modular design of the H5A Modular, either camera module can be connected to the H5A Modular Camera Main Unit for maximum versatility and optimal installation.

	FORM FACTOR	MP	WDR	ANALYTICS	LENS	IP66	HDSM SMARTCODEC	LIGHTCATCHER TECHNOLOGY
3C-H5MOD-RP4	Right Angle	3.0	✓	✓	3.7 mm, Fixed Pinhole		✓	✓
3C-H5MOD-MB2	Micro Bullet	3.0	✓	✓	2.8 mm, Fixed	✓	✓	✓
5C-H5MOD-MB2	Micro Bullet	5.0	✓	✓	2.8 mm, Fixed	✓	✓	✓

## CAMERA MAIN UNIT

DISPLAY PART NUMBER	DESCRIPTION
H5A-MOD-2P	H5A Modular Camera Main Unit

## CAMERA CABLES

DISPLAY PART NUMBER	DESCRIPTION
CBL2M-1001	2 m (6 ft) HD BNC Cable for H5A Modular Camera Imager

## OPTIONAL MOUNTING ADAPTERS

DISPLAY PART NUMBER	DESCRIPTION
BRKTMD-1001	Din rail mount for H5A Modular Camera Main Unit
BRKTMD-1101	Replacement L Bracket for Micro Bullet Imager H5A Modular
BRKTMD-1021	Replacement Flat Bracket for Right Angle Imager H5A Modular
BRKTMD-1031	Replacement Trimming Bracket for Micro Bullet Imager H5A Modular

## OPTIONAL LICENSES AND ACCESSORIES

DISPLAY PART NUMBER	DESCRIPTION
CAM-FIPS	Camera license to enable FIPS Level 1 cryptographic mode on any H5A camera
CAM-FIPS-CRYPT-R-L3	MSI CRYPT-R SD with camera license to enable FIPS Level 3 cryptographic mode on H5A cameras

# SUPPORT

Learn more and find additional documentation at [avigilon.com](https://www.avigilon.com) or email [sales@avigilon.com](mailto:sales@avigilon.com) for specific product support.



Aikom Technology S.r.l.  
Viale Lambrusco 1, 47838 Riccione (RN)  
[www.aikomtech.com](http://www.aikomtech.com) - [info@aikomtech.com](mailto:info@aikomtech.com)  
Tel: 0541 648894



Jan 2022 | Rev 1

© 2022, Motorola Solutions, Inc. All rights reserved. MOTOROLA, MOTO, MOTOROLA SOLUTIONS, and the Stylized M Logo are trademarks or registered trademarks of Motorola Trademark Holdings, LLC and are used under license. AVIGILON, the AVIGILON logo, AVIGILON CONTROL CENTER, ACC, HDSM SmartCodec and LIGHTCATCHER are trademarks of Avigilon Corporation. The absence of the symbols ™ and ® in proximity to each trademark in this document or at all is not a disclaimer of ownership of the related trademark. All other trademarks are the property of their respective owners.